

Replacement of 7349 Flowmeter

Replacing a Flowmeter in a Model 7060 MEDG

Due to a configuration change by the component manufacturer, a replacement Howell Laboratories, Inc. Part No. 7349-03 flowmeter will not fit in the mounting recess used by the original equipment. Therefore, if replacing this flowmeter, use the following procedure:

I. Parts provided:

- Flowmeter P/N 7349-03, qty 1.
- Top brace P/N 7433-02, qty 1.
- Bottom brace P/N 7433-03, qty 1.
- Retaining strap 7728-01, qty 2.
- 10-32 screws with flat washers, qty 2 sets.
- 1/4-20 screws with nuts and flat washers, qty 4 sets.
- 6-32 screws with nuts and flat washers, qty 4 sets.

II. Lock out and tag out.

- a. Shut the equipment down and lock and tag it out in accordance with the technical manual.

III. Remove the defective flowmeter.

- a. Disconnect the two hoses from the hose barbs on the defective flowmeter.
- b. Remove the mounting screws and braces securing the flowmeter to the panel. Remove the flowmeter.

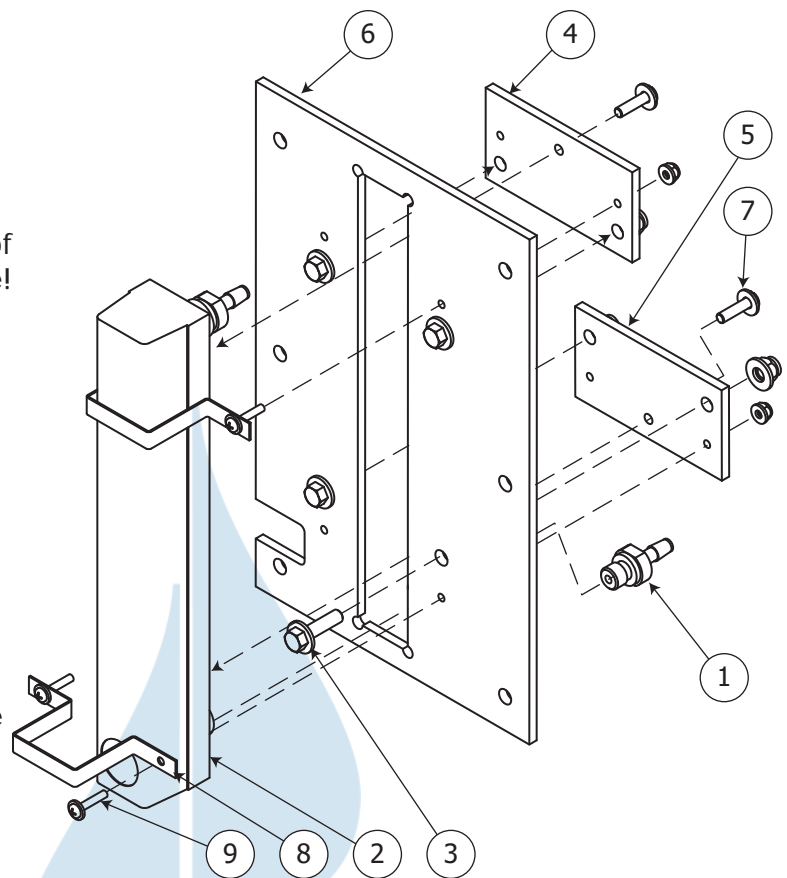
IV. Install the new flowmeter (figure).

- a. Remove the two hose barbs from the defective flowmeter and install them (1) in the new flowmeter (2), using a good grade of silicone lubricant on the O-rings.

NOTE

The flowmeter mounts on the FRONT of the panel, not into the rear like the old one!

- b. Using the 1/4-20 screws, nuts and washers (3), secure the top brace (4) and bottom brace (5) to the panel (6). Don't tighten yet.
- c. Using the 10-32 round-head screws (7) with flat washers, secure the flowmeter to the braces, sandwiching the panel in between. Don't tighten these screws at this time.
- d. Install the retaining straps (8) over the flowmeter with the 6-32 screws, nuts and washers (9), extending through the panel and the braces as shown.
- e. Align all the parts and tighten the hardware.
- f. Connect the hose sections to the two hose barbs (1). Flowmeter replacement is complete.



Howell Laboratories, Inc.

188 Harrison Rd.
Bridgton, Maine 04009
(207) 647-3327

(888) 744-8359

e-mail: contracts@howelllabs.com
An Employee-Owned Company

FAX (207) 647-8273
web: www.howelllabs.com
Certified to ISO 9001