

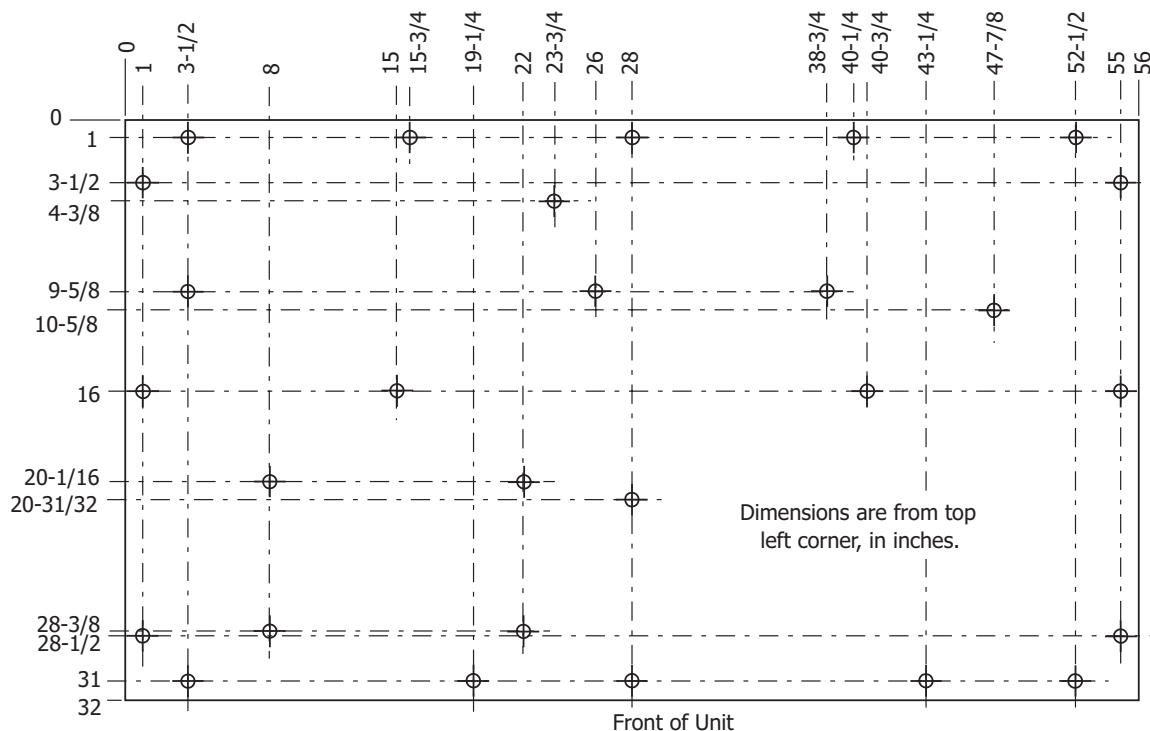
Model 7060 MIOX Electrolytic Disinfectant Generators

Footprint and Interface Locations

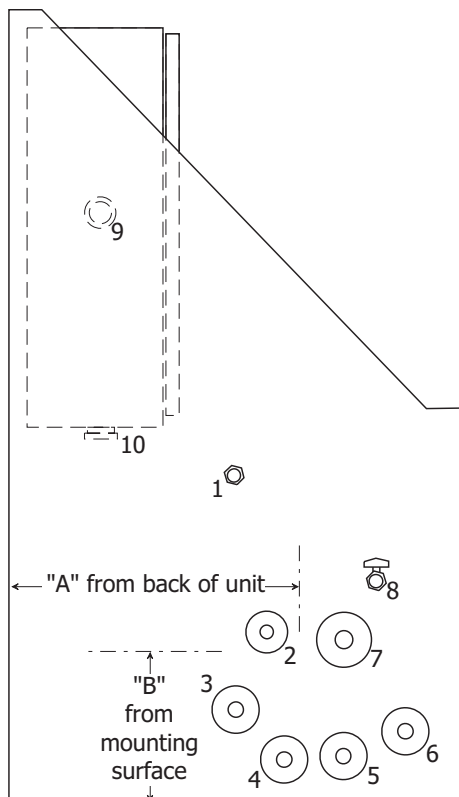
7060 Mark I Mounting Footprint

NOTE

Mounting holes are for 3/4" mounting bolts or studs.



Interface Locations



	Description	Fitting	A	B
1	Ship's LP air in	MIL-F-1183 Union, 1/4" IPS	15-3/4"	23"
2	Water in for brine and mixed oxidant	MIL-F-1183 Union, 1/4" IPS	18"	12"
3	Water softener drain	MIL-F-1183 Union, 1/2" IPS	15-7/8"	6-1/2"
4	Brine tank drain	MIL-F-1183 Union, 1/2" IPS	19-1/4"	2-7/8"
5	Mixed oxidant tank drain	Titanium flange, 1/2" IPS	23-1/2"	3-1/8"
6	Treated water out	Titanium flange, 1/2" IPS	27-7/8"	5"
7	Water in for treatment	MIL-F-20042 flange, 1" IPS	23-1/2"	11-1/2"
8	Oxidant sample port	n/a	n/a	n/a
9	Electrical power in	MS3102A-28-03P receptacle	Receptacle on bottom of control panel	
10	Remote alarm connection "dry" contacts	MS3012A-20-04P receptacle	Receptacle on right side of control panel	

Howell Laboratories, Inc.

188 Harrison Rd.
Bridgton, Maine 04009

(207) 647-3327

(888) 744-8359

FAX (207) 647-8273

e-mail: contracts@howelllabs.com

web: www.howelllabs.com

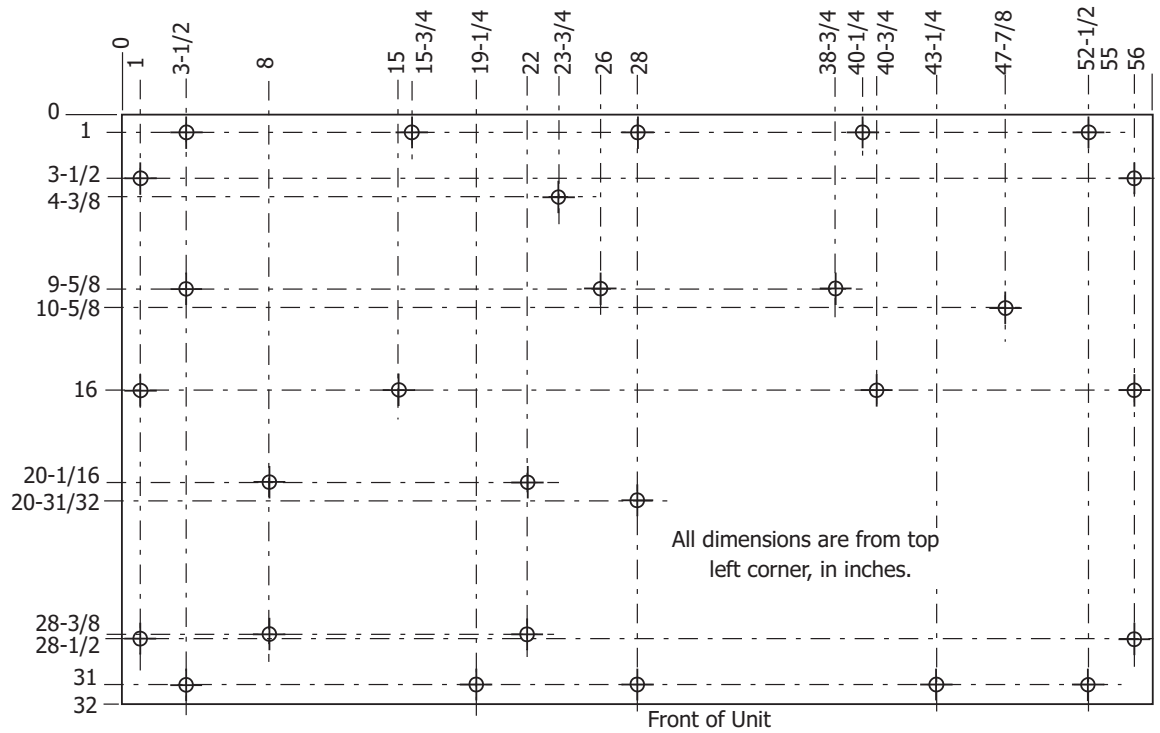
An Employee-Owned Company

Certified to ISO 9001

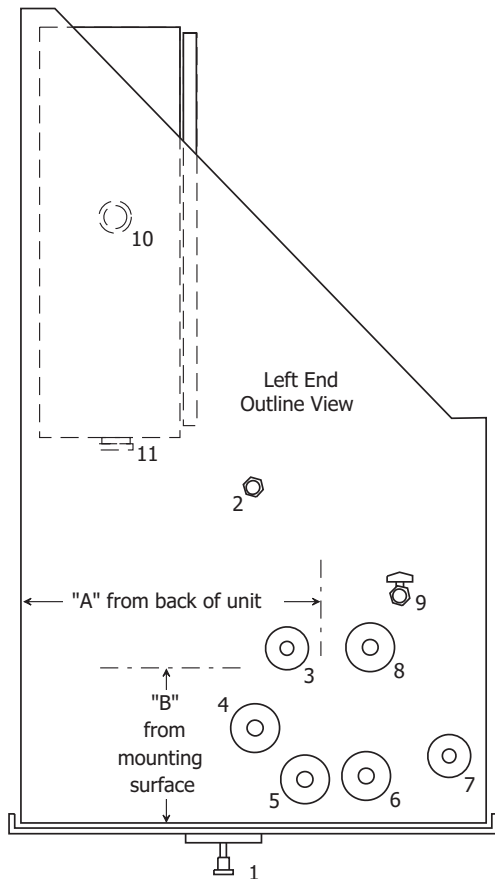
7060 Mark II Mounting Footprint

NOTE

Mounting holes are for 3/4" mounting bolts or studs.



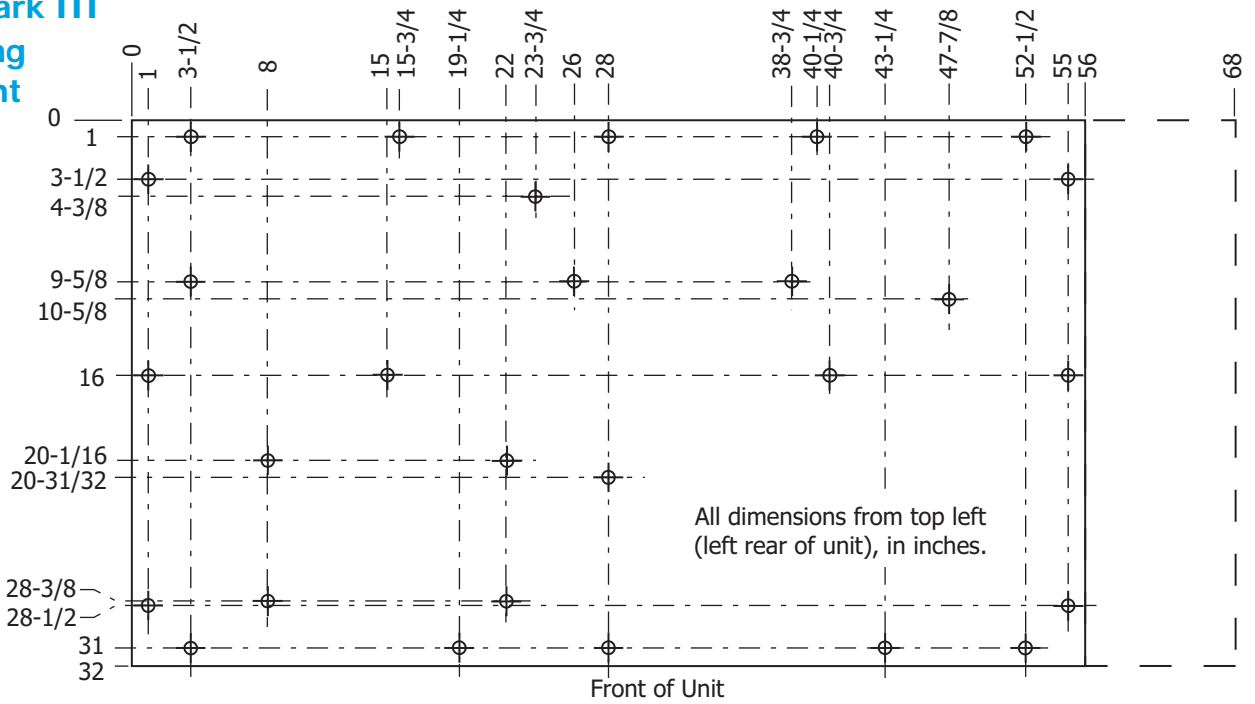
Interface Locations



	Description	Fitting	A	B
1	Drip pan drain	MIL-F-1183 Union, 1/4" IPS	see page 4	
2	Ship's LP air in	MIL-F-1183 Union, 1/4" IPS	15-3/4"	23"
3	Water in for brine and mixed oxidant	MIL-F-1183 Union, 1/4" IPS	18"	12"
4	Water softener drain	MIL-F-1183 Union, 1/2" IPS	15-7/8"	6-1/2"
5	Brine tank drain	MIL-F-1183 Union, 1/2" IPS	19-1/4"	2-7/8"
6	Mixed oxidant tank drain	Titanium flange, 1/2" IPS	23-1/2"	3"
7	Treated water out	Titanium flange, 1/2" IPS	28"	5"
8	Water in for treatment	MIL-F-20042 flange, 1" IPS	23-1/2"	11-1/2"
9	Oxidant sample port	n/a	n/a	n/a
10	Electrical power in	MS3102A-28-03P receptacle	Receptacle on bottom of control panel	
11	Remote alarm connection "dry" contacts	MS3012A-20-04P receptacle	Receptacle on right side of control panel	

7060 Mark III

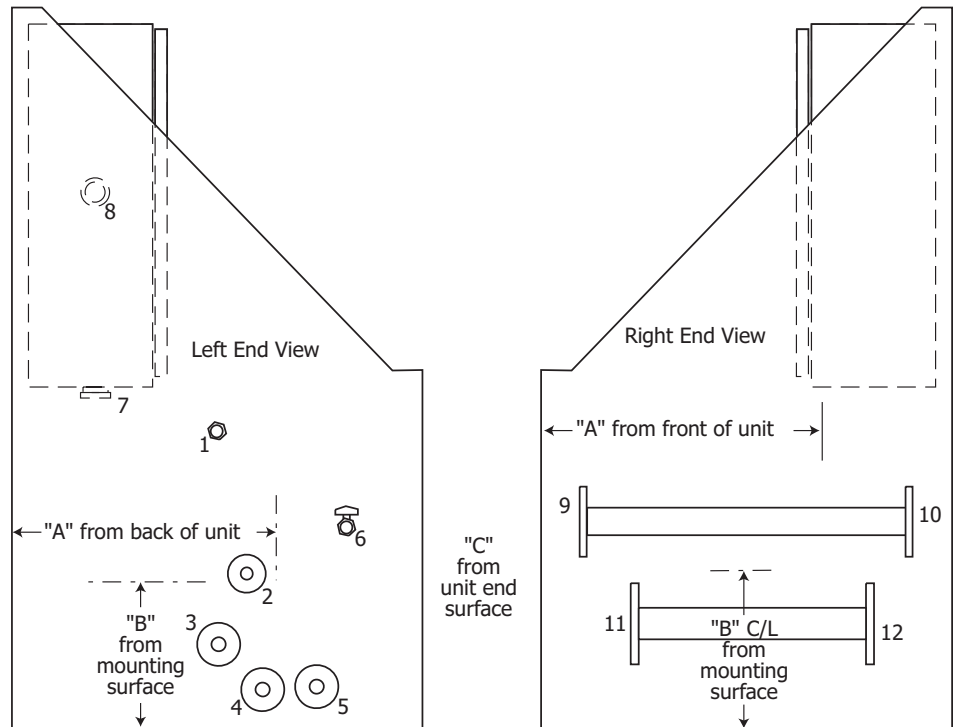
Mounting Footprint



NOTE

Mounting holes are for 3/4" mounting bolts or studs.

7060 Mark III Interface Locations



	Description	Fitting	A	B
1	Drip pan drain	MIL-F-1183 Union, 1/4" IPS	see next page	
2	Ship's LP air in	MIL-F-1183 Union, 1/4" IPS	15-3/4"	23"
3	Water in for brine and mixed oxidant	MIL-F-1183 Union, 1/4" IPS	18"	12"
4	Water softener drain	MIL-F-1183 Union, 1/2" IPS	15-7/8"	6-1/2"
5	Brine tank drain	MIL-F-1183 Union, 1/2" IPS	19-1/4"	2-7/8"
6	Mixed oxidant tank drain	Titanium flange, 1/2" IPS	23-1/2"	3-1/8"
7	Treated water out	Titanium flange, 1/2" IPS	27-7/8"	5"
8	Water in for treatment	MIL-F-20042 flange, 1" IPS	23-1/2"	11-1/2"
9	Oxidant sample port	n/a	n/a	n/a
10	Electrical power in	MS3102A-28-03P receptacle	Receptacle on bottom of control panel	
11	Remote alarm connection "dry" contacts	MS3012A-20-04P receptacle	Receptacle on right side of control panel	

7060 Mark II and Mark III Sump and Drain Locations

