

Replacement of 7464-02 power converters with a 7982-01 power converter in a Model 7060 Mk I MEDG

Materials needed:

- Power converter, P/N 7982-01, qty 1
- Conversion kit, P/N 9068-G501, qty 1

Secure and tag out:

WARNING

The MEDG operates on 115 VAC. This voltage can kill or injure. When performing repairs, secure and tag out the unit.

WARNING

Be careful to depressurize the MEDG air system before beginning work. Sudden release of air pressure may result in personal injury or death.

- Shut the unit down in accordance with the technical manual. Observe all precautions.
- Disconnect electrical power, external to the unit.
- Test for 115 VAC at the right-hand two terminals on the TDK EMI filter (Figure 1, 1). There should be no voltage. If there is voltage at these terminals, you have not disconnected electrical power correctly.
- Secure the inlet potable water line (labeled "Potable Water In, 1/4 IPS"), external to the unit.
- Secure the fresh water inlet line (labeled "Fresh Water In, 1 IPS"), external to the unit.
- Secure the mixed oxidant solution line (labeled "To Spool Piece"), external to the unit.
- Close the booster pump inlet (2) and outlet (3) isolation valves and the injection system isolation valve (4).
- Secure the inlet air line (labeled "LP Air In"), external to the unit.
- Place safety locks and tags on the electrical power disconnect and all the water and air valves, according to shipboard procedure.

Remove the original power converters:

CAUTION

The MEDG operates on 115 VAC. This voltage can kill or injure. When performing repairs, secure and tag out the unit.

NOTE

The two original power converters are installed and removed as a single unit.

- Disconnect the wires (Figure 1, 5) from the terminals at the top of the power converters (6) and from the power block.
- Disconnect the large cables (7) to the electrolytic cell from the terminals at the bottom of the power converters.
- Remove the mounting screws (8) from the mounting brackets (9) securing the power converters to the back panel (10), and remove the power converters.

Install the new power converter:

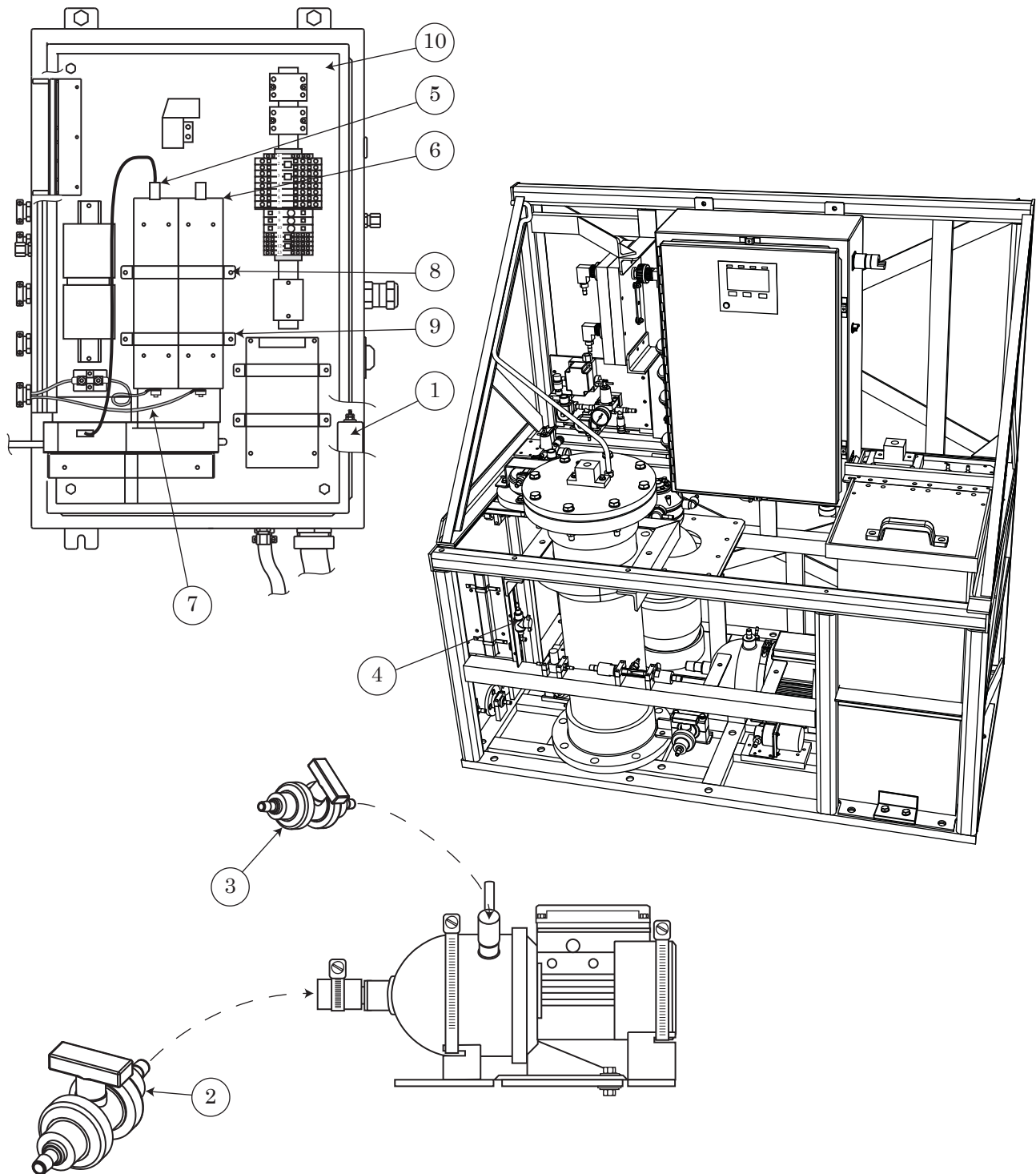
- Using the M4 round head screws (Figure 2, 1), attach the power converter straps (2) to the power converter (3).
- Using the 1/4" socket head hardware (4), attach the subplate (5) to the power converter.

Howell Laboratories, Inc.

188 Harrison Rd.
Bridgton, Maine 04009
(207) 647-3327

(888) 744-8359

FAX (207) 647-8273



Old-style booster pump shown. Actual pump may vary.

Figure 1. Shutdown and Removal Items

- c. Position the assembly on the back panel (Figure 1, 10). Using the 1/4" hex head hardware (6), attach the subplate to the back panel, using the holes where the original power converter straps had been attached.
- d. Connect the 22-gauge red wire (Figure 2, 7) to the "+" tab at the bottom of the power converter as shown.
- e. Connect the large black cable (8) to the "L" terminal at the bottom of the power converter as shown and to terminal J101-08C on the power block.
- f. Connect the large white cable (9) to the "N" terminal (8) as shown and to terminal J101-02C on the power block.

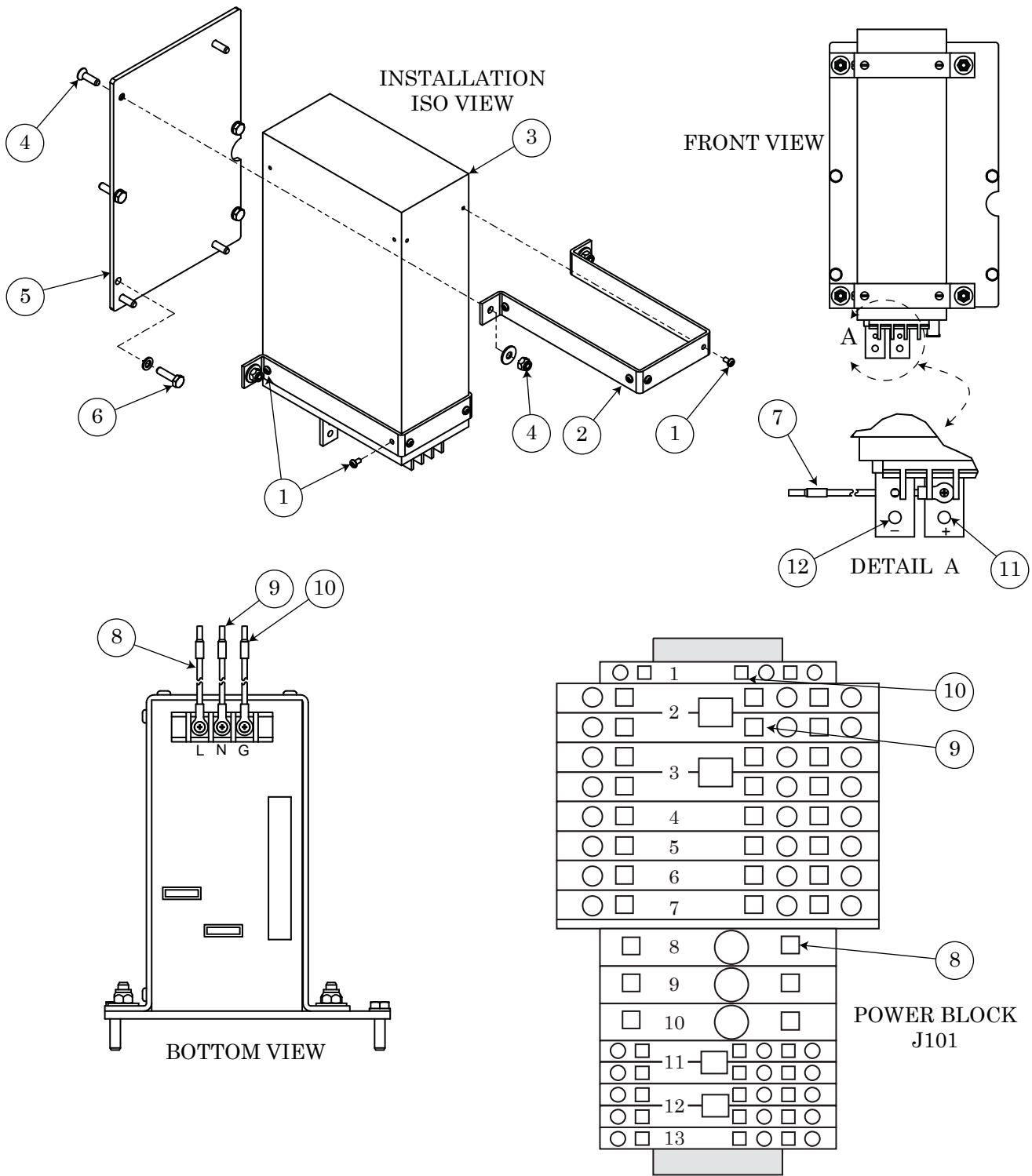


Figure 2. New Power Converter Install Items

- g. Connect the large green cable (10) to the "G" terminal as shown and to terminal J101-01C on the power block.
- h. Connect the positive cell lead to the "+" terminal (Figure 2, 11) at the bottom of the power converter.
- i. Connect the negative cell lead to the "-" terminal (12) at the bottom of the power converter.

Restart the MEDG:

Perform "Normal Startup" in accordance with the technical manual. Observe all precautions.