

Upgrade of booster pump in Model 7060 MEDGs

I. Parts and Materials.

- Booster pump, P/N 9070-G501. Includes adapter plate, P/N 9070-02.
- Hose set, including pump inlet hose, P/N 7474-04, pump outlet hose, P/N 7474-03, and pump priming line hose, P/N 7474-01.
- NAVSEA technical manual, TMIN S9531-CT-MMC-010 (7060 Mk I), S9531-CV-MMA-010 (7060 Mk II), or S9531-CU-MMA-010 (7060 Mk III).

II. Procedure.

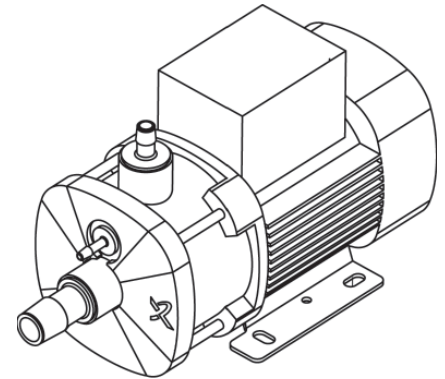
WARNING

The MEDG operates on 115 VAC. This voltage can kill or injure. When performing repairs, secure and tag out the unit.

NOTE

Item callouts refer to Figures 1 and 2 on page 2.

- a. Secure and tag out the Mixed-Oxidant Electrolytic Disinfectant Generator (MEDG) in accordance with Paragraph 6.2 (Mk I and Mk II) or Paragraph 6-3 (Mk III) of the technical manual. Observe all precautions.
- b. Open the priming valve (1) to relieve water pressure in the pump.
- c. Remove the existing booster pump:
 - (1) Disconnect the hoses from the pump's inlet (2), outlet (3), and priming line (4) fittings. Remove all three hoses from the MEDG (they are too short to reach the fittings on the upgraded pump).
 - (2) Remove the two band clamps (5) securing the pump to the plastic saddles (6).
 - (4) In the control panel, disconnect the pump electrical leads from terminals J101-06R and J101-07R and the green ground wire. Disconnect the conduit and withdraw the leads from the control panel.
 - (5) Remove the six mounting screws (7) and spacers (8) securing the pump to its mounting bracket (9), and remove the pump.
 - (6) Remove the saddles and mounting bracket from the MEDG frame.
- d. (7060 Mk III only) Repeat step c for the second pump.
- e. Install the new pump:
 - (1) Place the mounting screws (10) into their holes in the adapter plate (11) (the pump will prevent installing them later).
 - (2) Using the two mounting screws (12) and the four sets of mounting hardware (13), secure the pump to the adapter plate.
 - (3) Place the pump into the MEDG frame. Tighten mounting screws (10) first, then the remaining screws (11).
 - (4) Insert the electrical leads into the control panel. Connect them to terminals J101-06R (white) and J101-07R (black). Reconnect the green ground wire to its terminal, and reconnect the conduit.
 - (5) Cut the pump inlet hose, the pump outlet hose, and the pump priming line hose to length and install them. Use the new hose clamps, included with the hose set.
- f. (7060 Mk III only) Repeat step e for the second booster pump.
- g. Perform initial startup in accordance with Paragraph 2.2.2 (Mk I and Mk II) or Paragraph 2-3.2 (Mk III) of the technical manual to ensure the booster pump is primed.
- h. Check for leaks and correct any leaks before releasing the MEDG for service.



Howell Laboratories, Inc.

188 Harrison Rd.
Bridgton, Maine 04009
(207) 647-3327

(888) 744-8359

e-mail: contracts@howelllabs.com
An Employee-Owned Company

FAX (207) 647-8273

web: www.howelllabs.com
Certified to ISO 9001

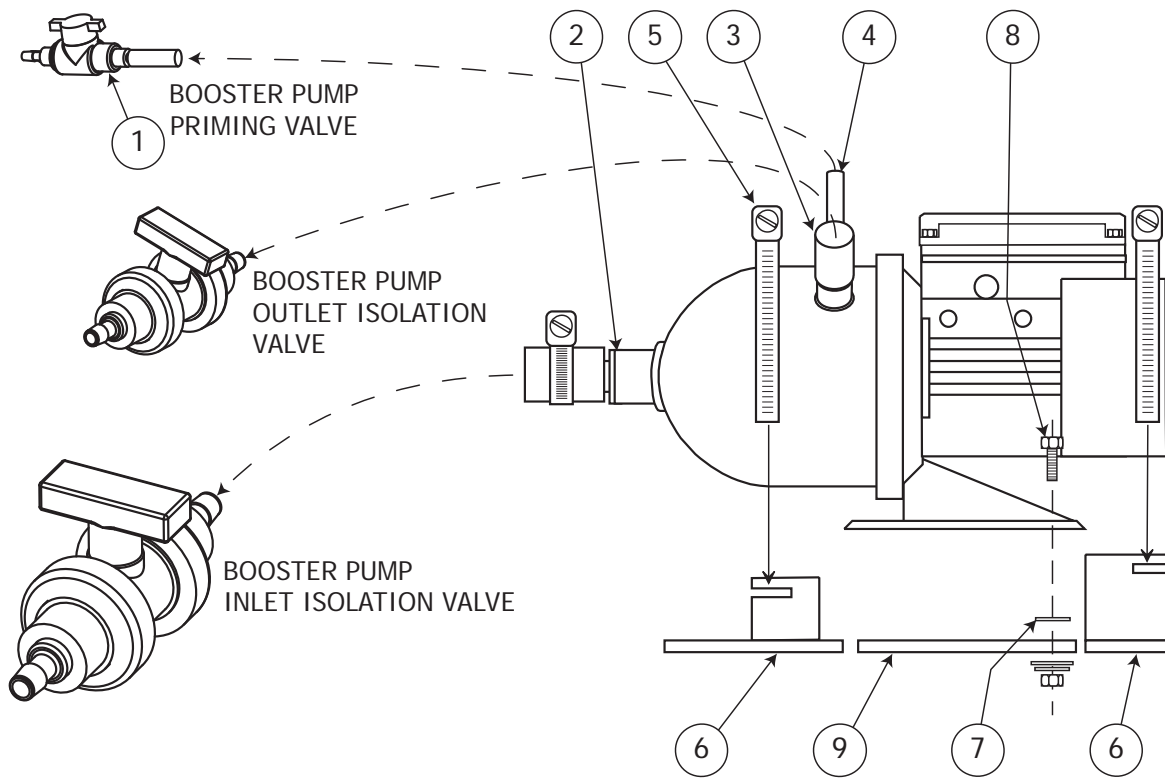


Figure 1. Original booster pump, P/N 7279-G501

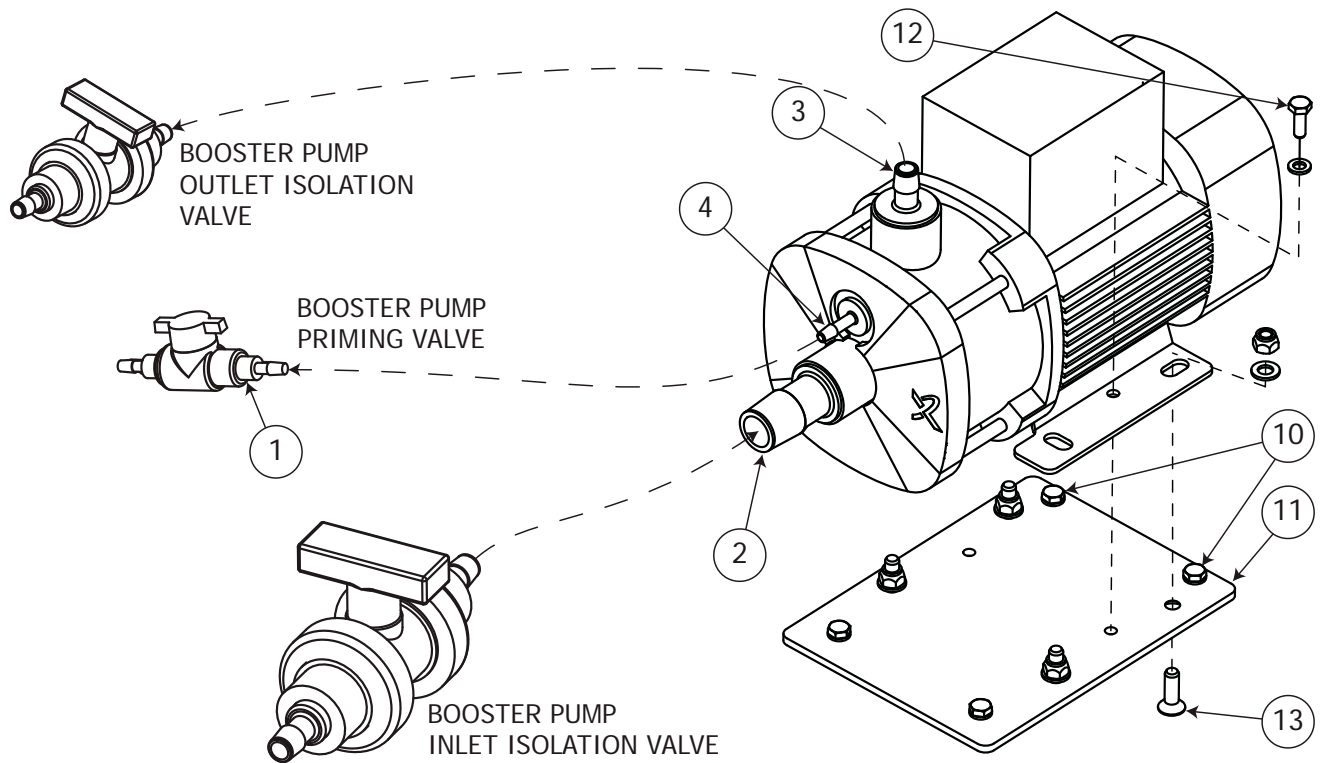


Figure 2. Upgraded booster pump, P/N 9070-G501

1	Booster pump priming valve	8	Spacer (4)
2	Pump inlet fitting	9	Mounting bracket
3	Pump outlet fitting	10	Mounting screw, adapter plate (4)
4	Priming line fitting	11	Adapter plate
5	Band clamp (2)	12	Mounting screw, upgraded pump (2)
6	Saddle set	13	Mounting hardware, upgraded pump (4)
7	Mounting screw, original pump (4)		